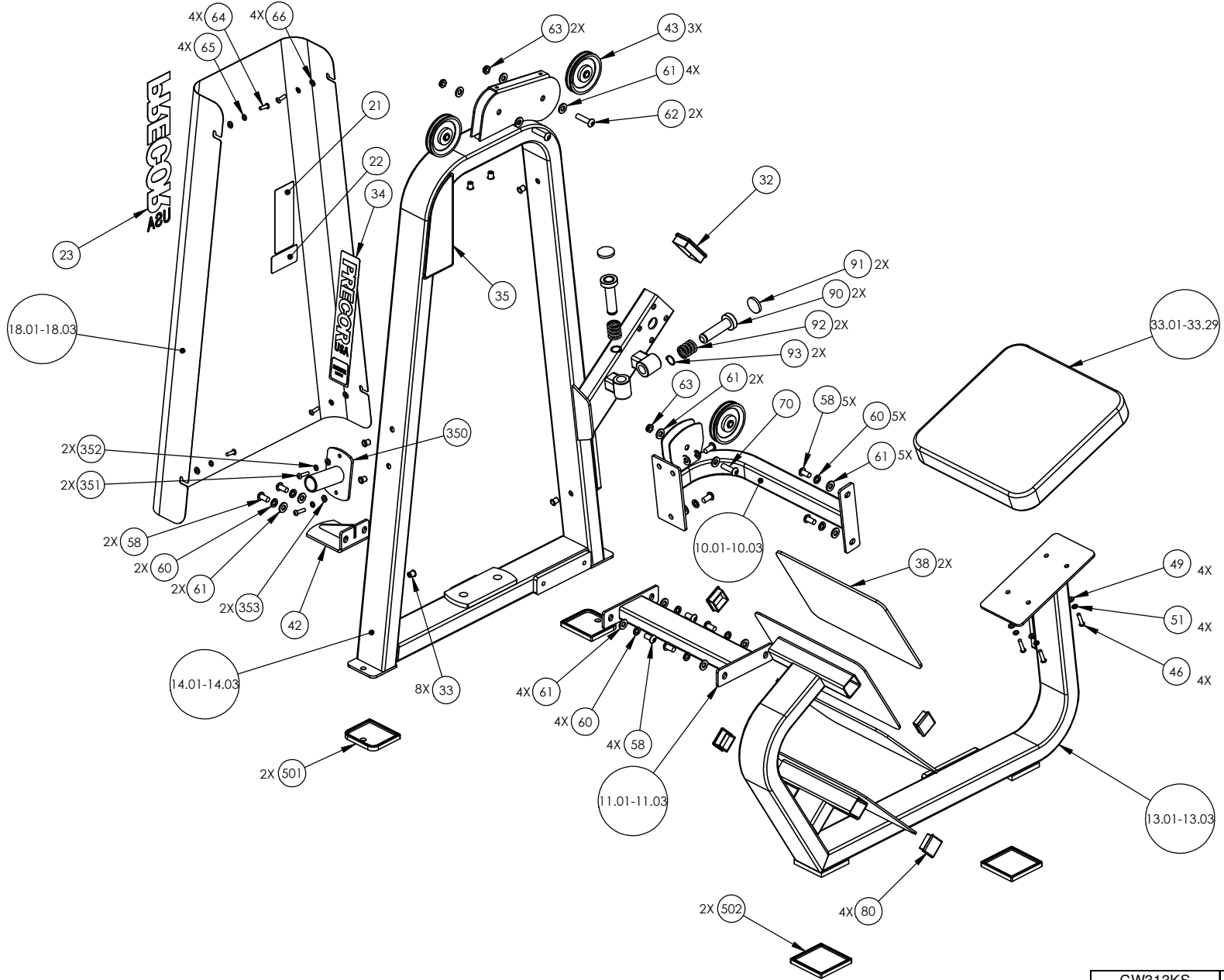
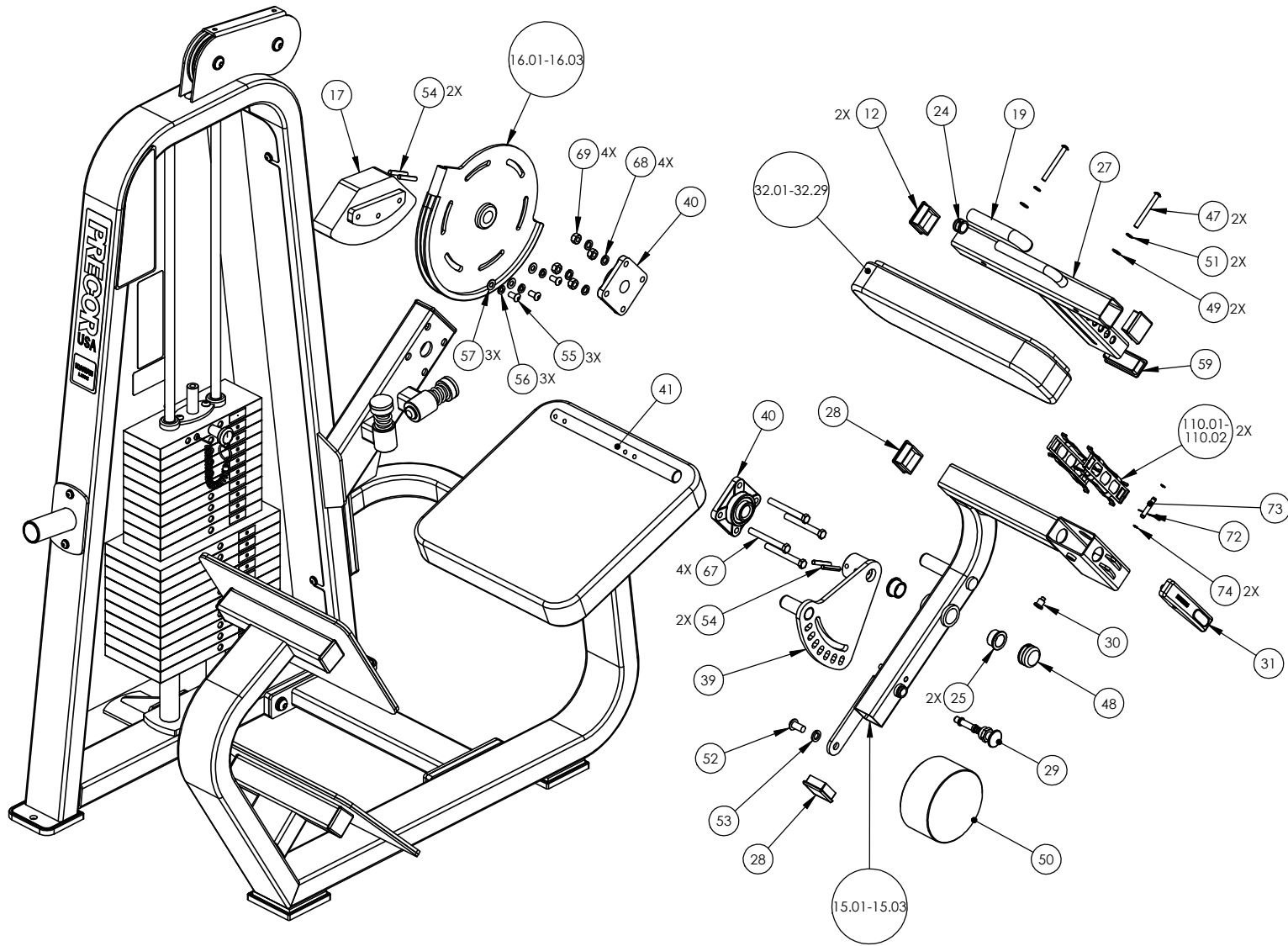


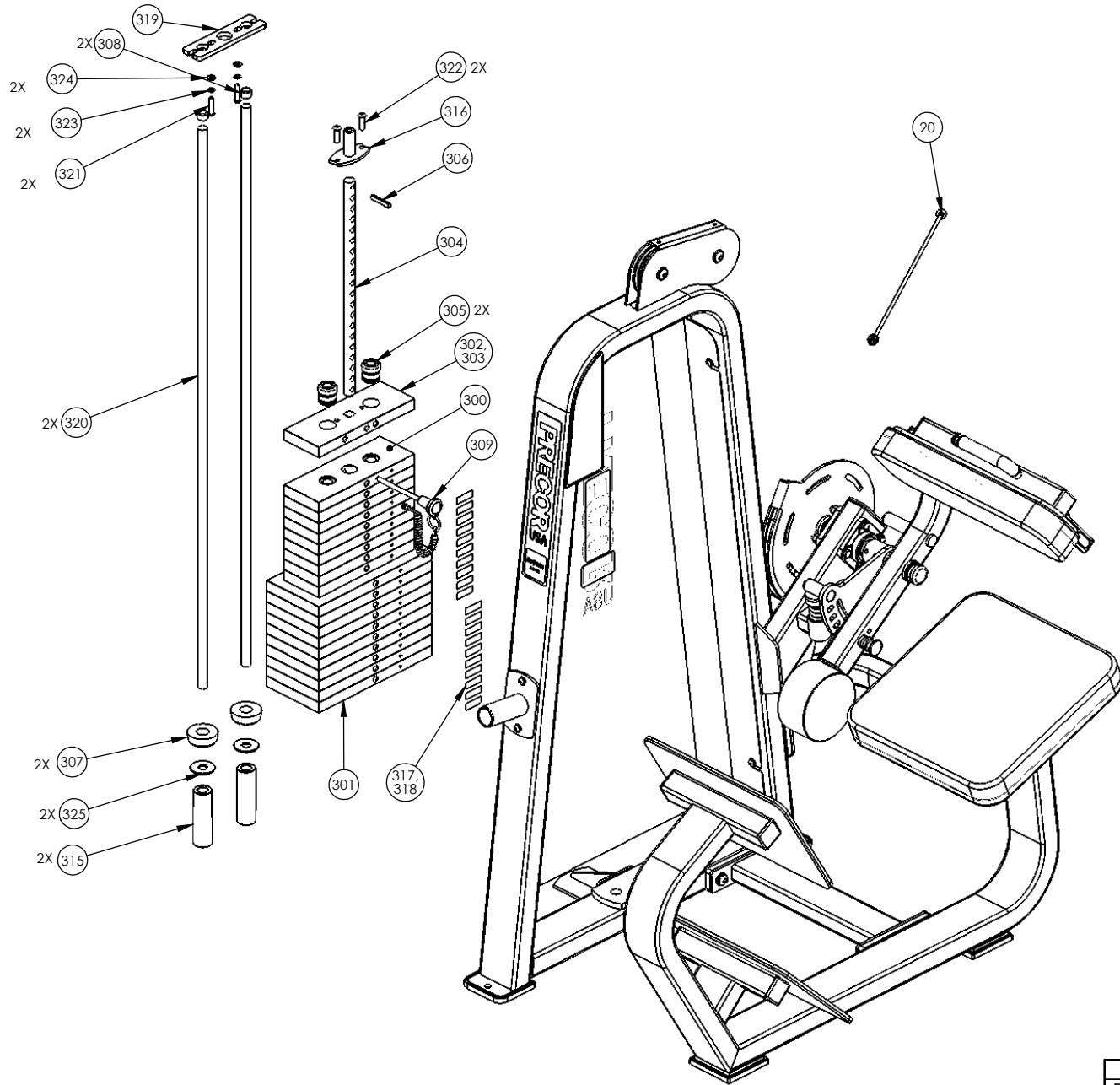
CW313KS	P/N: CW32850-101	SUBREV: D
DRAWN BY: VLE	DATE: 08.06.09	SHEET 1 OF 4



CW313KS	P/N: CW32850-101	SUBREV: D
DRAWN BY: VLE	DATE: 08.06.09	SHEET 2 OF 4



CW313KS	P/N: CW32850-101	SUBREV: D
DRAWN BY: VLE	DATE: 08.06.09	SHEET 3 OF 4



CW313KS	P/N: CW32850-101	SUBREV: D
DRAWN BY: VLE	DATE: 08.06.09	SHEET 4 OF 4

313KS Low Back

Part Number	Description	Bubble Number
CW32979-211	ASSY, UPPER FRAME CROSS, CW313KS, S	10.01
CW32979-301	ASSY, UPPER FRAME CROSS, CW313KS, C	10.02
CW32979-321	ASSY, UPPER FRAME CROSS, CW313KS, T	10.03
CW32978-211	ASSY, 17" FRAME, CROSS BRACE, SKY W	11.01
CW32978-301	ASSY, 17" FRAME, CROSS BRACE, CUSTO	11.02
CW32978-321	ASSY, 17" FRAME, CROSS BRACE, TITAN	11.03
CW11311-103	ENDCAP, REC TUBE, 2X2, BLK PLASTIC	12
CW32976-301	ASSY, FRAME, SEAT, CW313KS, CUSTOM	13.02
CW32976-321	ASSY, FRAME, SEAT, CW313KS, TITANIU	13.03
CW32690-302	WELDMENT, MAIN FRAME, CUSTOM	14.02
CW32690-322	WELDMENT, MAIN FRAME, TITANIUM, HG	14.03
CW32808-301	WELDMENT, ARM, CW313KS, CUSTOM	15.02
CW32808-321	WELDMENT, ARM, CW313KS, TITANIUM, H	15.03
CW32911-721	ASSY, SMALL CAM, CCW, WRINKLE BLK	16.01
CW32907-721	ASSY, COUNTER WEIGHT, 2.00", WRINKL	17
CW32091-211	ASSY, SHROUD, #5, SKY WHITE	18.01
CW32091-301	ASSY, SHROUD, #5, CUSTOM	18.02
CW32091-321	ASSY, SHROUD, #5, TITANIUM, HG	18.03
CWGR4806-000	GRIP, RUBBER, .75" OD HANDLE, 6.00"	19
CWCLGH106-750	ASSY, CABLE, CW313KS	20
CW30010-102	LABEL,WARNING STRENGTH	21
CW30011-102	LABEL,WARNING WEIGHT STACK	22
CWAC220-901	HANDLE END CAP W/SET SCREWS, DIA 3/	24
CW10043-134	BUSHING, BRONZE, 1" ID X 1 1/4" OD	25
CW32217-711	ASSEMBLY, BACK ADJUSTMENT, 8 HOLE,	27
CW11311-103	ENDCAP, REC TUBE, 2X2, BLK PLASTIC	28
CW30501-752	ASSY, POP PIN, LONG, 0.450 DIA NOSE	29
CW31784-731	STOP PLUG, BLK ZN	30
CW32460-221	ASSY, RATCHETING LEVER, BLACK	31
CW11311-102	ENDCAP, REC TUBE, 2X4, BLK PLASTIC	32
CWPD1106B-101	PAD,6X20,2HOLES,W/BP,BLACK	32.01
CW12537-109	NUT,INSERT,THIN-NUT,LARGE FLANGE	33
CWPD1115B-101	PAD,17X17,4HOLES,W/BP,BLACK	33.01
CW31756-101	LABEL, PRECOR USA ICARIAN LINE	34
CW33351-101	ASSY, PLACARD, 313KS	35
CW30799-731	ASSY, SPRING STOP, BLK ZN	36
CW31488-101	HARDWARE,PADS,313,313KS	37
CW30013-222	CUT PIECE, CREPE, 1/4 THICK, 12.00	38
CW32977-721	ASSY, SELECTOR, CW313KS, WRINKLE BL	39
CW12405-101	PILLOW BLOCK, BEARING, FLANGE, 4 BO	40
CW32594-732	BAR, STEEL, RND, .998 DIA X 13.25,	41
CW33286-731	WELDMENT, STABILITY FOOT,BLACK ZINC	42
CWAC1009-101	PULLEY, 4 1/2 DIA X 1/2 ID	43
CWTAYN031-150	SCREW, BUTTON HEAD, BLK XYLAN, 5/16	46
CWTAYN031-300	SCREW, BUTTON HEAD, BLK XYLAN, 5/16	47
CWAC222-901	ASSY, SHAFT END CAP W/SET SCREWS, D	48
CWWBKN031-007	WASHER, FLAT, TYPE A, SAE, 5/16 ID	49
CWPF3450-721	BAR, RND, DIA 6" X 3, 1 HOLE TAPPE	50

CWWALYN031-008	WASHER, SPLIT, 5/16 ID, BL	51
CWTAYN050-100	SCREW, BUTTON HEAD, BLK XYLAN, 1/2	52
CWLDNN031-200	SLOTTED PIN SPRING, DIA 5/16 X 2.00	54
CWTAYN050-100	SCREW, BUTTON HEAD, BLK XYLAN, 1/2	58
CW12633-101	ENDCAP, REC TUBE, LDP, 1 1/2 X 3 1	59
CWWALYN050-013	WASHER, SPLIT, 1/2 ID, BLK XYLAN	60
CWWBKN050-010	WASHER, FLAT, TYPE A, SAE, 1/2 ID X	61
CWTAYN050-200	SCREW, BUTTON HEAD, BLK XYLAN, 1/2	62
CWKAYN050-031	LOCKNUT, NYLON INSERT, HALF, UNC, 1	63
CWTAYN031-100	SCREW, BUTTON HEAD, BLK XYLAN, 5/16	64
CWWALYN031-008	WASHER, SPLIT, 5/16 ID, BL	65
CWWBKN031-007	WASHER, FLAT, TYPE A, SAE, 5/16 ID	66
CWHCYN044-375	SCREW, HEX HEAD, BLK XYLAN, 7/16-	67
CWWALYN044-011	WASHER, SPLIT, 7/16 ID, BLK XYLAN	68
CWKMYN044-038	NUT, HEX, UNC, 7/16-14, BLK XYLAN	69
CWTAYN050-175	SCREW, BUTTON HEAD, BLK XYLAN, 1/2	70
CW12634-101	SPRING, TORSION 90 DEG X 0.484 X 0.	72
CW31770-742	LATCH PIVOTING PIN, CLR ZN	73
CWAMNN028-003	RING, RETAINING, 2-TURN, SPIRAL, SS	74
CW11311-103	ENDCAP, REC TUBE, 2X2, BLK PLASTIC	80
CWSA1120-731	WELDMENT, SPRING STOP, BLK ZN	90
CW33626-901	GUIDE, THIN, TELESCOPING TUBE	110.01
CW33626-902	GUIDE, THCK, TELESCOPING TUBE	110.02
CWAC1133-101	BUSHING, WEIGHT PLATE, LDPE PLASTIC	203
CW10519-721	PLATE, WEIGHT, 20 LBS, WRKL BLK	279
CW10510-721	ASSY, PLATE, WEIGHT, 10 LBS, WRKL B	300
CW10520-721	ASSY, PLATE, WEIGHT, 20 LBS, WRKL B	301
CW10550-723	PLATE, WEIGHT, MED TOP (MTP-S), 10	302
CW10570-722	PLATE, WEIGHT, LARGE TOP (LTP-S),	303
CW30132-712	SELECTOR STEM, 20 PLATE,0.875 DIA,	304
CW30184-901	ASSY,BARREL,TOP PLATE,ALUMINUM,SHRT	305
CW30184-902	ASSY,BARREL,TOP PLATE,ALUMINUM,TALL	305
CWLDNN038-200	SLOTTED PIN SPRING, DIA 3/8 X 2	306
CW12402-101	BUMPER, ID 1.050, BLK RUBBER	307
CW12404-101	CAP, GUIDE ROD,DIA 3/4, BLK	308
CW33870-102	ASSEMBLY, 5" WEIGHT STACK PIN & LEA	309
CW33323-721	STACK RISER, 5 INCH, WRINKLE BLACK	315
CW32663-741	WELDMENT, BOLT ON TOP PLATE MINI ST	316
CW32939-101	WEIGHT STACK LABELS, 20-400, STRAIG	317
CW32938-101	WEIGHT STACK LABELS, 10-300, STAGGE	318
CWPF1016-732	BAR,,FLAT CR/HR, 3/8 X 2 X 8 1/4, 3	319
CWPF1214-711	GUIDE ROD,STEEL,OD 3/4 X 52 5/8, CH	320
CWTAYN031-150	SCREW, BUTTON HEAD, BLK XYLAN, 5/16	321
CWTAYN038-125	SCREW, BUTTON HEAD, BLK XYLAN, 3/8	322
CWWALYN031-008	WASHER, SPLIT, 5/16 ID, BL	323
CWWBKN031-007	WASHER, FLAT, TYPE A, SAE, 5/16 ID	324
CWWCKN075-015	WASHER, FLAT, TYPE A, WIDE, 3/4 ID	325
CW32939-101	WEIGHT STACK LABELS, 20-400, STRAIG	333
CW31772-741	ASSY, ADD-ON WEIGHT HORN, CLEAR ZIN	350
CWTAYN031-150	SCREW, BUTTON HEAD, BLK XYLAN, 5/16	351
CWWALYN031-008	WASHER, SPLIT, 5/16 ID, BL	352
CWWBKN031-007	WASHER, FLAT, TYPE A, SAE, 5/16 ID	353

CWAC1177-101	FLOOR PROTECTOR, RUBBER, 4.563 X 4.	501
CWAC1181-101	FLOOR PROTECTOR, RUBBER, 4.563 X 4.	502
CW58004-101	WEIGHT STACK BUSHING KIT, KS SERIES	600